

INSTALLATION INSTRUCTIONS



Passage™ Shower Subway Tile Wall Collection

Nominal Dimensions: 60 x 32 x 72

Model: P2969SWT

Visit <http://www.americanstandard-us.com/passage-collection> for coordinating products.

American Standard Passage Shower Walls are designed to be installed together with the American Standard Passage Shower Base. If your specific installation does not include a Passage Shower Base, you will need to adjust the width of your shower alcove to 59-1/4" (1505 mm) to ensure correct fit with installed substrate (see Illustration 1).

Thank you for selecting American Standard – the benchmark of fine quality for over 100 years.
To ensure this product is installed properly, please read these instructions carefully before you begin.
Certain installations may require professional help.

REQUIRED TOOLS AND MATERIALS

TOOLS:

Tape Measure	Drill
Caulking Gun	Level
Masking Tape	Square
Hole Saw	Pencil
Jig Saw with fine tooth blade	

MATERIALS:

Suction Cups - optional

SOLD SEPARATELY:

x8 Tubes Waterproof Instant Grab
Construction Adhesive
x2 Tubes Tub & Tile Sealant

BEFORE YOU BEGIN....

Local building codes vary by location. Observe all local plumbing and building codes.

Unpack your new shower walls and inspect them carefully for damage. Verify that the walls are the correct size for your installation.

NOTE: Take extra care in handling the front surfaces of the walls. Use only non-abrasive cloths to avoid scratching.

STEP 1: PREPARATION

⚠ Do not install directly to studs.

Passage Shower Walls must be installed over a solid, water resistant substrate such as greenboard.

If alcove opening is larger than rough-in opening (see Illustration 1) there will be a visible gap between rear corners. Fir-out studding if necessary before installing substrate to provide correct alcove opening for panels. Ensure alcove is plumb and square.

1) ROUGH PLUMBING & FITTINGS MUST BE INSTALLED BEFORE WALLS

2) WALL SURFACE PREPARATION

Ensure wall surface is dry, smooth, and free of dust, soap scum, mold or other contaminants. Wipe wall surfaces with a damp cloth and allow to dry.

TIP: Priming wall substrate improves shower wall adhesion. Wall surface must be dry before panels can be applied.

NOTE: IF YOU PLAN TO INSTALL A SHOWER DOOR

Follow manufacturer's instructions and prepare stud wall accordingly.

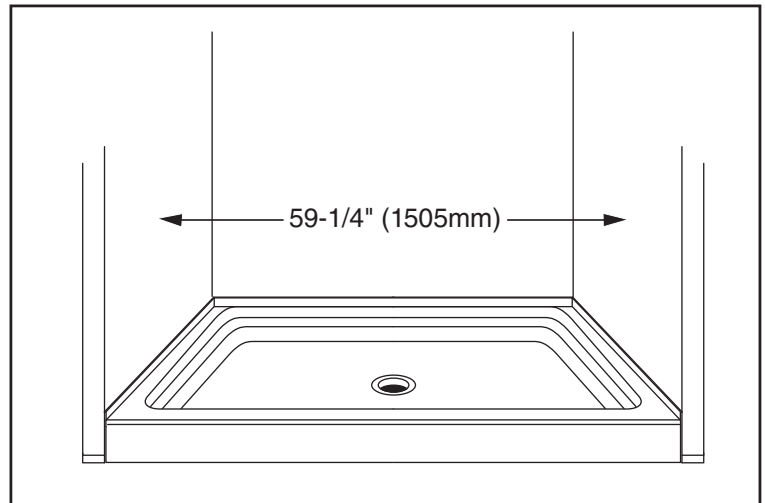


Illustration 1

SAVE FOR FUTURE USE

STEP 2: INSTALLING REAR WALL PANELS

- 1) Starting with the bottom rear panel, dry fit bottom to top with the exposed Lap Joint facing you. Keep a 1/8" (3mm) gap above shower base. **(Illustration 2)**
Hold rear panel in place and mark a horizontal line across top edge of rear panel. Trim rear panels if needed to fit within alcove area.

Trimming Panels:

- a) Measure shower enclosure.
- b) Apply masking tape to approximate cut area on the tile finished side to prevent chipping and protect surface.
- c) Transfer measurement to panel.
- d) Using a jigsaw with a fine tooth blade, cut along line on finished tile side. Ensure a new blade is used.

NOTE: Install one panel at a time.

- 2) Wipe all panels and walls with a damp cloth to remove any dust or debris and allow to fully dry.
- 3) Starting with the bottom rear back panel first, apply 1/4" (6mm) bead of adhesive on the substrate in evenly spaced vertical strips every 6" (152mm) for each panel top to bottom. Apply one row of adhesive horizontally to the top and bottom edges of the substrate. **(Illustration 3)**
- 4) Move bottom rear panel onto the wall keeping a space of approximately 1/8" (3mm) off the surface of the shower base. Press panel firmly over entire surface to ensure firm contact of panel to adhesive on wall. Repeat Steps 1-3 for top rear panel.
- 5) Apply waterproof construction adhesive to the Lap Joint of both bottom and top panels. **(Illustration 2)**
Place top rear panel in place on rear wall as in steps above. Wipe off excess adhesive with a damp cloth.

TIP: Suction cups will aid in the handling and installation of the shower wall panels.

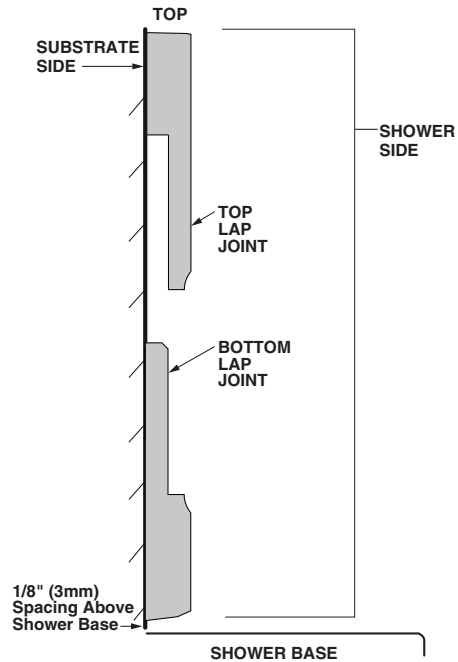


Illustration 2

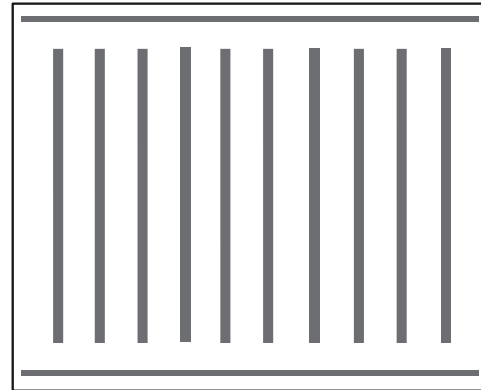


Illustration 3

STEP 3: INSTALLING SIDE WALL PANELS

- 1) Orient side panel to match subway tile design of top rear panel.
- 2) Align grout lines of side panels with rear wall panel grout lines. Trim side panels if needed to fit within alcove area. **(Illustration 4)**
Trim or cut from bottom edge of side panels so that the top edge of the panels are level with the top edge of the back panels.

Trimming Panels:

- a) Measure shower enclosure.
 - b) Apply masking tape to approximate cut area on the tile finished side to prevent chipping and protect surface.
 - c) Transfer measurement to panel.
 - d) Using a jigsaw with a fine tooth blade, cut along line on finished tile side. Ensure a new blade is used.
- 3) Once both side panels are properly dry fitted, mark all panels and trim as needed:
 - a) Apply tape to approximate location
 - b) Mark all plumbing locations
 - c) Drill holes at each location using hole saws large enough to accommodate the opening but small enough to be covered by the trim plates. **(Illustration 5)**

NOTE: Drill from finished tile side.

⚠ Do not use wood/paddle bits or grit hole saws as they will chip.

- 4) Wipe panels and walls with a damp cloth to remove any dust or debris. Allow to fully dry.
- 5) Apply 1/4" (6mm) bead of adhesive on the substrate in evenly spaced vertical strips every 6" (152mm) for each panel, top to bottom. **(Illustration 3)** Apply one row of adhesive horizontally to the top and bottom edges of the substrate. **(Illustration 3)** Place wall into place and press firmly over entire surface to ensure adhesion. Wipe off excess adhesive with a damp cloth.
- 6) Repeat on second wall panel.

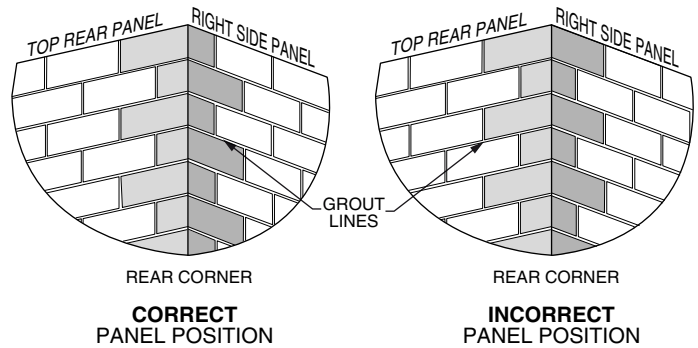


Illustration 4

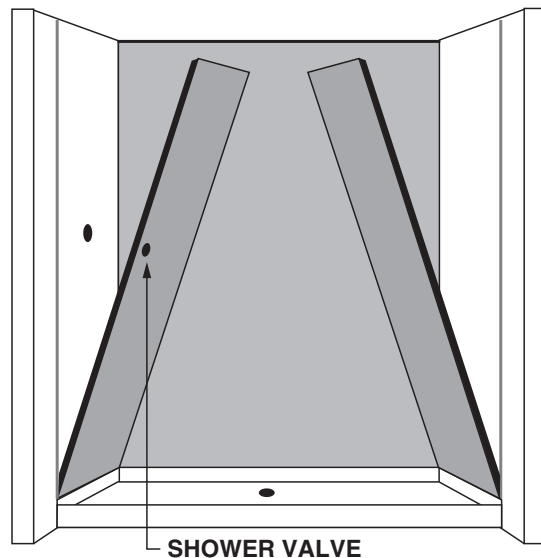


Illustration 5

STEP 4: APPLYING SEALANT FOR SEAMS AND JOINTS

- 1) Once all panels are securely in place and set, apply the tub and tile sealant to all corners, seams between panels and gaps between bottom panels and shower base. **(Illustration 6)**

NOTE: Wipe any excess adhesive from the panel with damp cloth.

⚠ Allow 24 hours for the sealant to dry before use.

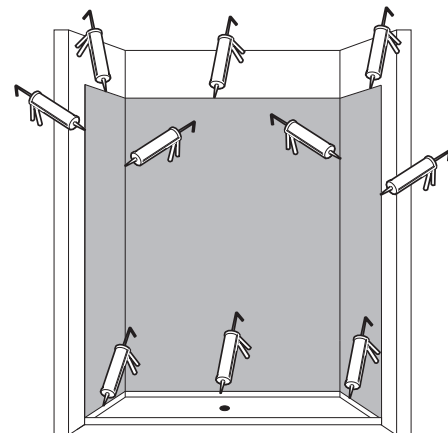


Illustration 6

POST INSTALLATION

Remove all construction debris. Install any accessories, shelves or doors according to manufacturer's installation instructions. Post installation clean-up can be completed using 50/50 mixture of isopropyl alcohol and water.

AFTERCARE AND CLEANING

! **WARNING:** Cleaning products with labels that say "not suitable for use with ABS, acrylic or polystyrene" SHOULD NOT BE USED. Read all labels carefully.

- Clean shower walls with warm soapy water and soft sponge. For stubborn stains, use a 50/50 mix of isopropyl alcohol and water.
- **HARSH CHEMICALS SHOULD NEVER BE USED ON SHOWER WALL SURFACE.** Clean after use with a mild liquid household detergent cleaner. Do not use Lestoil®, Lysol® Disinfectant (spray or concentrate), or Lysol® Basin, Tub and Tile Cleaner, Windex®, Mr. Clean®, Dow® Disinfectant Bathroom Cleaner, or cleaning products in aerosol cans.
- Do not use wire brushes, knives or sharp objects to remove stains, or other surface blemishes.
- Abrasive cleaners or powders should not be used as they will dull the surface.
- Do not allow nail polish remover, acetone, paint remover or other solvents to come into contact with the surface.

AS AMERICA, INC. 10 YEAR LIMITED WARRANTY FOR PASSAGE BATH WALLS

AS America, Inc. ("American Standard") warrants to the original consumer purchaser that it will, at its option, repair or replace this these walls or any of its parts that are found by American Standard, in its sole judgment, to be defective under normal residential use and maintenance so long as it is owned by the original consumer purchaser.

To activate this limited warranty, the purchaser must go online to our website at www.americanstandard-us.com/warranty to register their bath walls within thirty (30) days of purchase.

In no event will American Standard be liable for the cost of repair or replacement of any installation materials including but not limited to tiles, marble etc.

This limited warranty DOES NOT COVER the following:

1. Defects or damages arising from shipping, installation, alterations, accidents, abuse, misuse, lack of proper maintenance and cleaning as directed in the owner's manual and use of other than genuine American Standard replacement parts, in all cases whether caused by a plumbing contractor, service company, the owner or any other person.
2. Deterioration through normal wear and tear and the expense of normal maintenance.
3. Commercial application.
4. Options and accessories. American Standard's limited warranty on these items is one year for parts only and excludes labor. This one year limited warranty covers accessories manufactured by American Standard (e.g. aprons, drains, grab bars, heaters, trim kits) against defects of material or workmanship. Warranty coverage begins on the date the accessory was originally purchased by the owner.
5. Postage or shipping costs for returning products for repairs or replacement under this limited warranty and labor or other costs incurred in connection with product removal or installation under this limited warranty.
6. ANY LIABILITY FOR CONSEQUENTIAL OR INCIDENTAL DAMAGES, ALL OF WHICH ARE HEREBY EXPRESSLY DISCLAIMED, OR THE EXTENSION BEYOND THE DURATION OF THIS LIMITED WARRANTY OF ANY IMPLIED WARRANTIES, INCLUDING THOSE OF MERCHANTABILITY OR FITNESS FOR AN INTENDED PURPOSE. (Some jurisdictions do not allow limitations on how long an implied warranty lasts, or the exclusion or limitation of incidental or consequential damages, so these limitations and exclusions may not apply to you.)
7. Responsibility for compliance with local code requirements. (Since local code requirements vary greatly distributors, retailers, dealers, installation contractors and users of plumbing products should determine whether there are any code restrictions on the installation or use of a specific product.)

This warranty gives you specific legal rights. You may have other legal rights that vary from state to state. For service under this warranty, you should contact the following:

In the United States:

American Standard Brands
1 Centennial Ave

Piscataway, New Jersey 08854

Attention: Director of Consumer Affairs

For residents of the United States, warranty information may also be obtained by calling the following toll free number: (800) 442-1902
www.americanstandard.com

In Canada:

LIXIL Canada ULC

5900 Avebury Rd.

Mississauga, Ontario

Canada L5R 3M3

Toll Free: (800) 387-0369
www.americanstandard.ca

In Mexico:

American Standard B&K Mexico

S. de R.L. de C.V.

Via Morelos #330

Col. Santa Clara

Ecatepec 55540 Edo. Mexico

Toll Free: 01-800-839-1200
www.americanstandard.com.mx